

STRYKER HD

4.5-30x56

FFP

Compact tactical instrument



Thank you for considering this precision optical equipment.

Delta Optical spółka z ograniczoną odpowiedzialnością sp.k.
Nowe Osiny, ul. Piękna 1, 05-300 Mińsk Mazowiecki, Poland
TEL +48 25 786 0520 | FAX +48 25 759 2995
BetterForever@deltaoptical.eu | DeltaOptical.eu



THE AIM IS OPTICAL PERFECTION

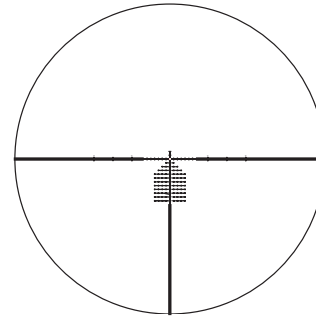
STRYKER HD 4.5-30x56 FFP

with LRD-1T : SKU DO-2500
with LRD-1P: SKU DO-2501
with DLR-1: SKU DO-2502

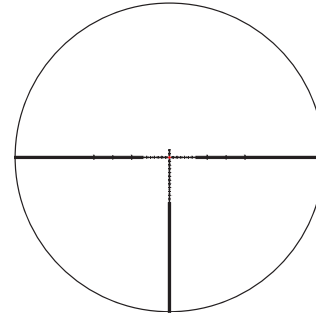


34mm tube.
Vertical adjustment
up to 300cm @100m

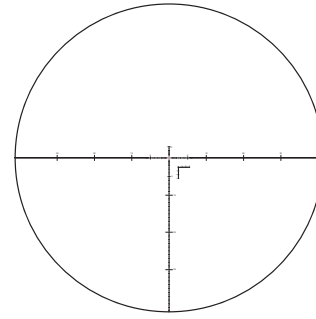
LRD-1T
MRAD @ 4.5X



LRD-1P
MRAD @ 4.5X



DLR-1
MRAD @ 4.5X



Included in the box: Throw Lever, Sunshade.

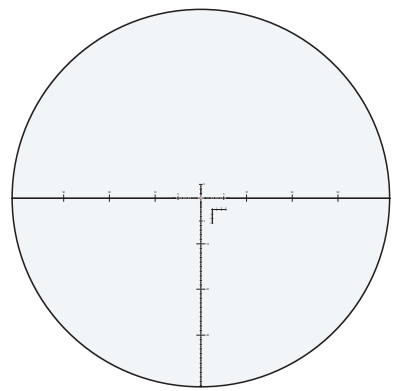
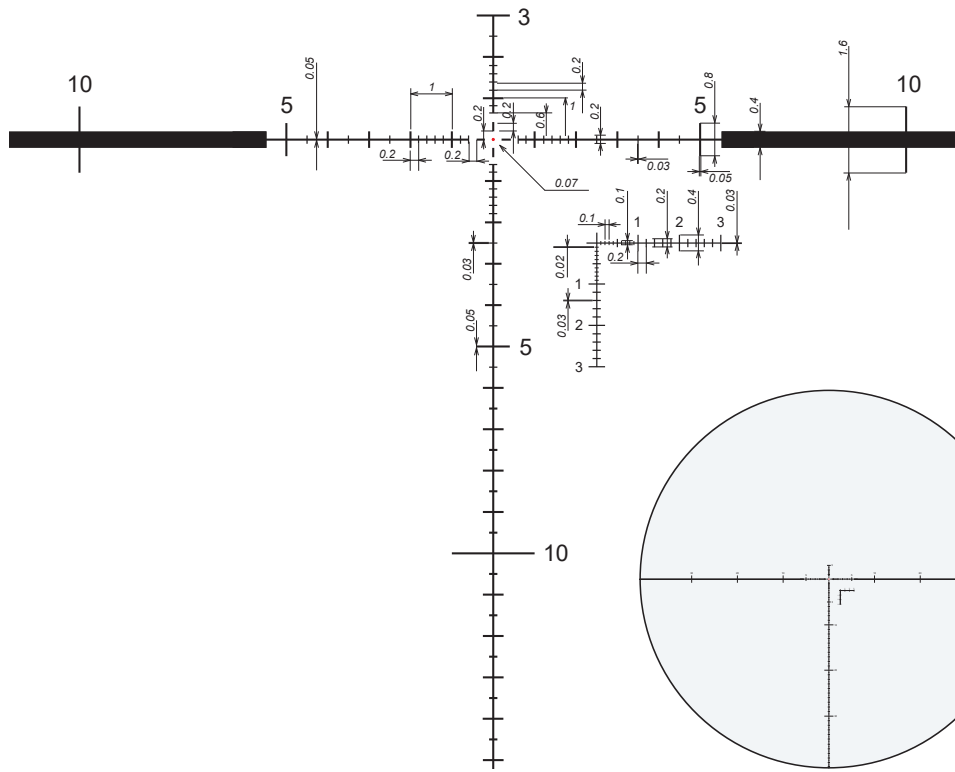


Magnification Range	4.5x – 30x
Objective Diameter	56mm
Field of View @ 100m 4.5x	8.3m
Field of View @ 100m 30x	1.2m
Eye Relief	81 – 97mm
Diopter Range	-2D/+3D
Water Proof (N2)	0.3kg/cm ²
Reticle Position	1st focal plane
Illumination	Dot + Cross*
Per Click	0.1MRAD
Elev Adj Range	30MRAD
Wind Adj Range	15MRAD
Parallax Adjustment	23m – ∞
Zero-Stop	YES
Tube Diameter	34mm
Length	358mm
Weight	1002g
Warranty	10 years

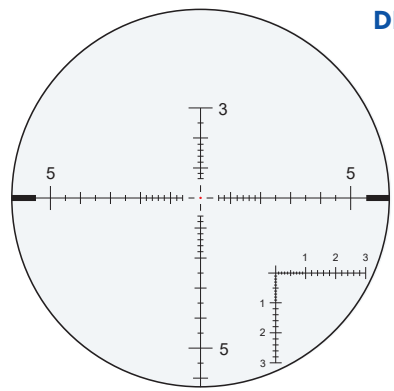
*With Reticle DLR-1, illumination Dot only



THE AIM IS OPTICAL PERFECTION



Field of View @ 4.5x



Field of View @ 30x

DLR-1

DLR-1

Central illuminated dot has a diameter of 0.07MRAD. Thin crosshairs 0.05MRAD with thick 0.4MRAD posts. Crosshairs divided by special markings into lengths of 0.2/0.5/1MRAD. Useful additional ranging scale allows for accurate measurement of the target in the upper magnification range with accuracy of up to 0.1MRAD.



THE AIM IS OPTICAL PERFECTION